



# 60W LED LOW BAY LIGHT



### Features

- Lumileds LED, high luminous efficiency and long working life.
- High efficiency LED Driver, the wide range input voltage AC100-277V.
- Die Cast aluminium cooling design, high quality and better cooling for LED  $T_j < 85^\circ\text{C}$ .
- Excellent Optics design, greatly improve the light utilization and evenness.
- Motion sensor Control Available (Option)

### Product Applications

WISDOM LED Low Bay Light series can be widely used in indoor or half outdoor lighting, like Indoor parking, mechanical or electronic processing workshops, storage warehouses, steel mills, gas stations, toll booth, waiting rooms, the platforms of railway station etc



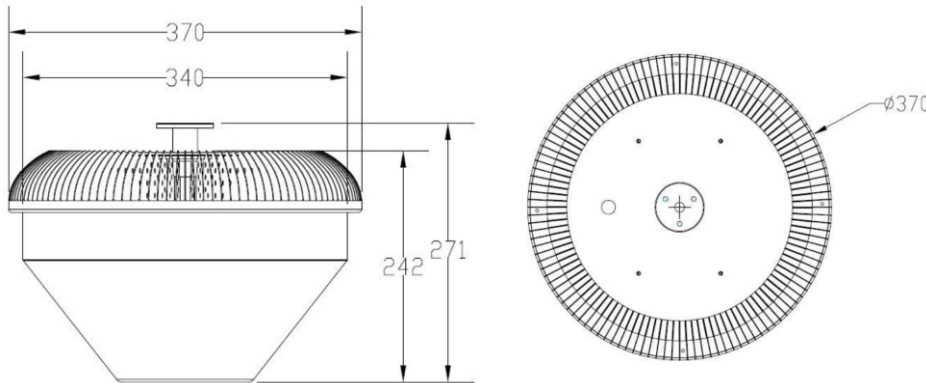
**WISDOM OPTOELECTRONICS TECHNOLOGY CO., LIMITED**  
 Add: FLOOR 8, BUILDING B1 SUNSHINE INDUSTRIAL PARK HEZHOU  
 XIXIANG BAOAN DISTRICT SHENZHEN, GUANGDONG, CHINA, 518126.

Tel: +86 755 2744 8585  
 +86 755 2744 8884  
 Fax: +86 755 2744 8089  
 Email: leo.zhu@wisdom-ssl.com  
 Website: www.wisdom-ssl.com



## Specifications

Unit : inch(mm)



### Structure Features

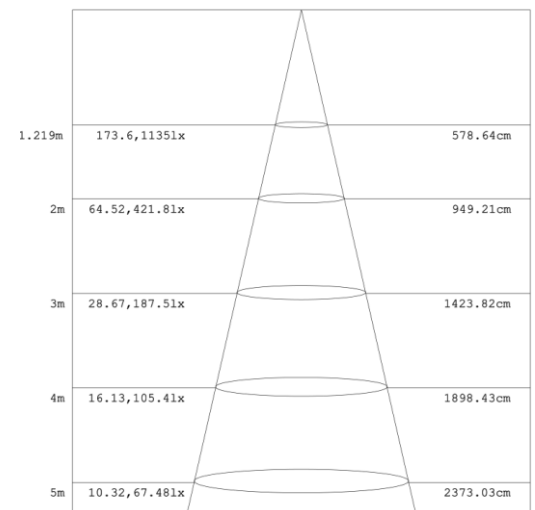
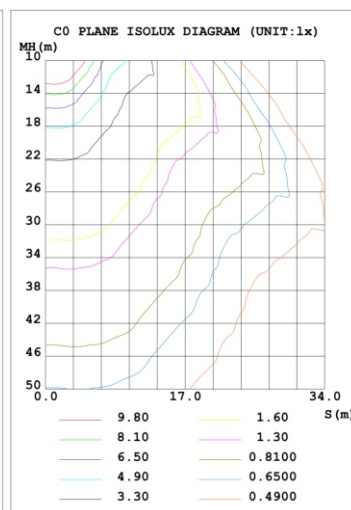
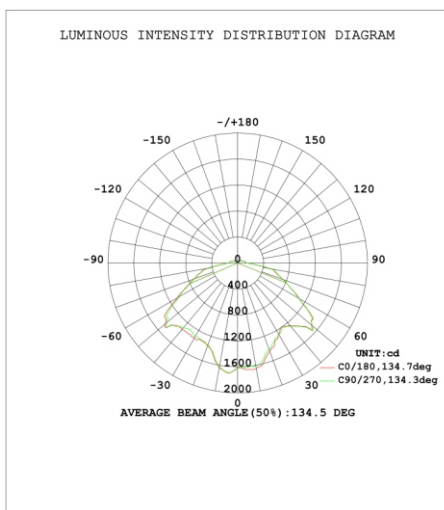
- Shell materials: Aluminum & PC.
- Finish: Dark Bronze/White
- Net weight : 3Kg (6.6 lbs)
- Product Size:370mm\*340mm\*242mm
- Carton Size:410mm\*410mm\*305mm

## Technical Parameters

### WSD-LB06W27-XXK

Power	60W	Lighting Angle	135°
Input Voltage	AC100-277V	LED Brightness Decay	<5%/6000 hrs
PF	>0.95	Working Life	>50000 hrs
Driver Efficiency	>90%	Working Temperature	-30 - +45°C
Luminous Flux	5311 Lm	Storage Temperature	-40 - +80°C
Color Temperature	3000K/4000K/5000K/5700K/6500K	Protection Level	Wet Location/IP65
CRI	Ra>80	Cable	Input Connect, 1.6m
Optional dimming function	1-10Vdc		

## Photometry



### Example:WSD-LB06W27-XXK

WSD	LB	06W	27	XXK
Company	Product	Power	Voltage	Color Temp
	LB	06W(60W)	27	30K(3000K)
WISDOM	LOW BAY	09W(90W)	AC100-277V	40K(4000K)
				50K(5000K)
				57K(5700K)±500K

WISDOM OPTOELECTRONICS TECHNOLOGY CO.,LIMITED

Add: FLOOR 8,BUILDING B1 SUNSHINE INDUSTRIAL PARK HEZHOU

XIXIANG BAOAN DISTRICT SHENZHEN, GUANGDONG , CHINA, 518126.

Tel: +86 755 2744 8585

+86 755 2744 8884

Fax: +86 755 2744 8089

Email: leo.zhu@wisdom-ssl.com

Website: www.wisdom-ssl.com