



## 2FT 200W LED Linear High bay Light

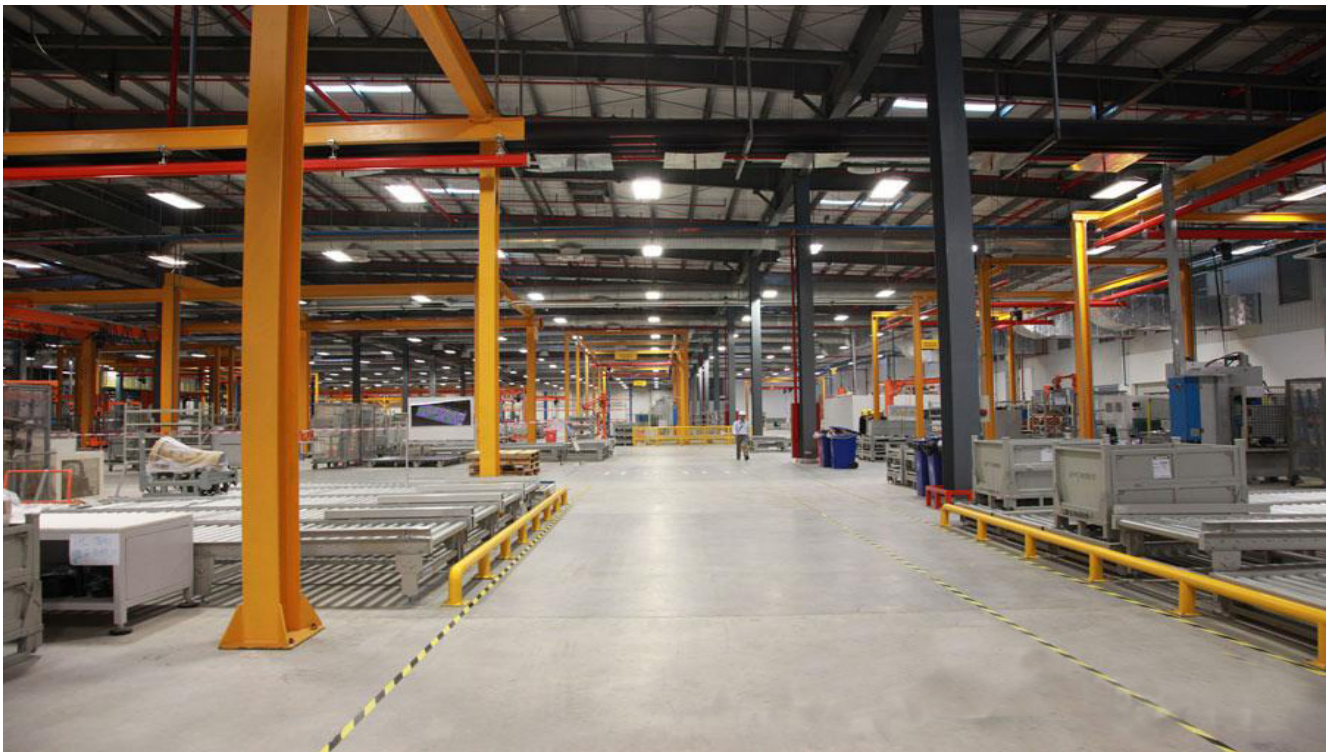


### Features

- Lumileds LED, high luminous efficiency and long working life.
- High efficiency LED Driver, the wide range input voltage AC120-277V.
- Die Cast aluminium cooling design, high quality and better cooling for LED  $T_j < 85^\circ\text{C}$ .
- Excellent Optics design, greatly improve the light utilization and evenness.
- Motion sensor Control Available (Option)

### Product Applications

WISDOM 2FT 200W LED Linear High bay Light series can be widely used in indoor lighting(location),like Warehouse, Gymnasium, Supermarket,Workshop, Toll booth, Waiting rooms, platforms of railway station etc.



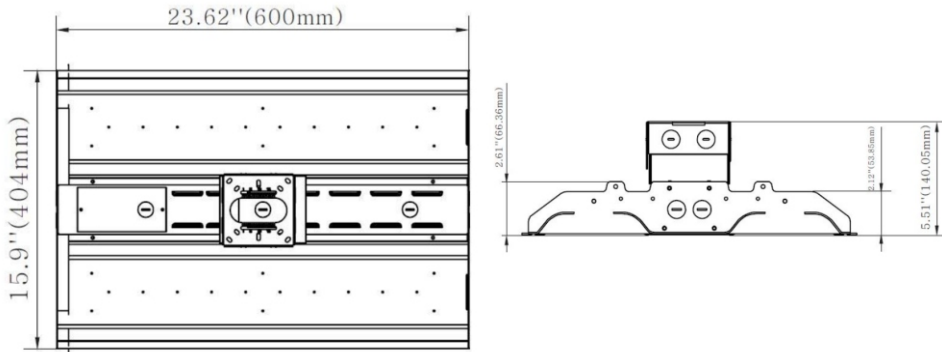
WISDOM OPTOELECTRONICS TECHNOLOGY CO., LIMITED  
 Add: FLOOR 8, BUILDING B1 SUNSHINE INDUSTRIAL PARK HEZHOU  
 XIXIANG BAOAN DISTRICT SHENZHEN, GUANGDONG, CHINA, 518126.

Tel: +86 755 2744 8585  
 +86 755 2744 8884  
 Fax: +86 755 2744 8089  
 Email: leo.zhu@wisdom-ssl.com  
 Website: www.wisdom-ssl.com



## Specifications

Unit : inch(mm)



## Structure Features

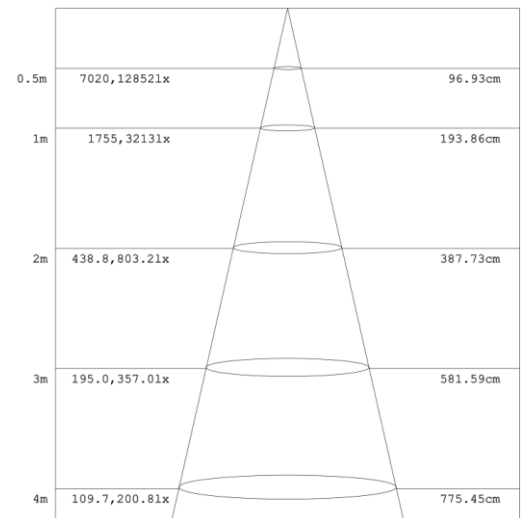
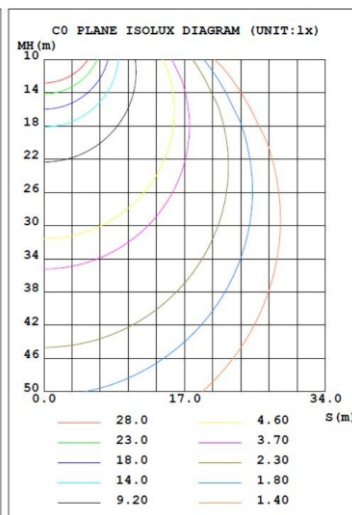
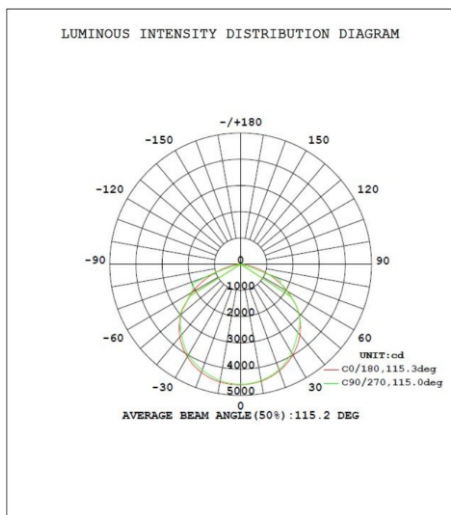
- Shell materials: Aluminum & PC.
- Finish: White
- Net weight : 5.9Kg (13.0 lbs)
- Product Size: 600mm\*404mm\*66.36mm
- Carton Size: 660mm\*470mm\*155mm

## Technical Parameters

### WSD-2FLHB20W27-XXK-[blank,P]

Power	200W	Lighting Angle	115°
Input Voltage	AC120-277V	LED Brightness Decay	<5%/6000 hrs
PF	>0.95	Working Life	>50000 hrs
Driver Efficiency	>90%	Working Temperature	-30 - +45°C
Luminous Flux	27650Lm	Storage Temperature	-40 - +80°C
Color Temperature	4000K/5000K	Protection Level	Damp
CRI	Ra>80	LED Driver	SOSEN
Optional dimming function	1-10Vdc		

## Photometry



### Example:WSD-2FLHB20W27-XXK-[blank,P]

WSD	LHB	20W	27	XXK	
Company	Product	Power	Voltage	Color Temp	
	LHB	20W(200W)	27	40K(4000K)	
WISDOM	Linear High bay Light		AC120-277V	50K(5000K)±500K	