



20W LED Flood Lighting



Features

- Lumileds LED, high luminous efficiency and long working life.
- High efficiency LED Driver, the wide range input voltage AC100-277V.
- Die Cast aluminium cooling design, high quality and better cooling for LED $T_j < 85^{\circ}\text{C}$.
- Excellent Optics design, greatly improve the light utilization and evenness.
- Photocell Control Available (Option)

Product Applications

WISDOM LED Flood Lighting series can be widely used in indoor or outdoor lighting (Wet location), Excellent for Museums, Art Galleries, Shopping Malls, Office Buildings, The lawn, Walls, and many more applications.



WISDOM OPTOELECTRONICS TECHNOLOGY CO., LIMITED
 Add: FLOOR 8, BUILDING B2 SUNSHINE INDUSTRIAL PARK HEZHOU
 XIXIANG BAOAN DISTRICT SHENZHEN, GUANGDONG, CHINA, 518126.

Tel: +86 755 2744 8585
 +86 755 2744 8884
 Fax: +86 755 2744 8089
 Email: leo.zhu@wisdom-ssl.com
 Website: www.wisdom-ssl.com

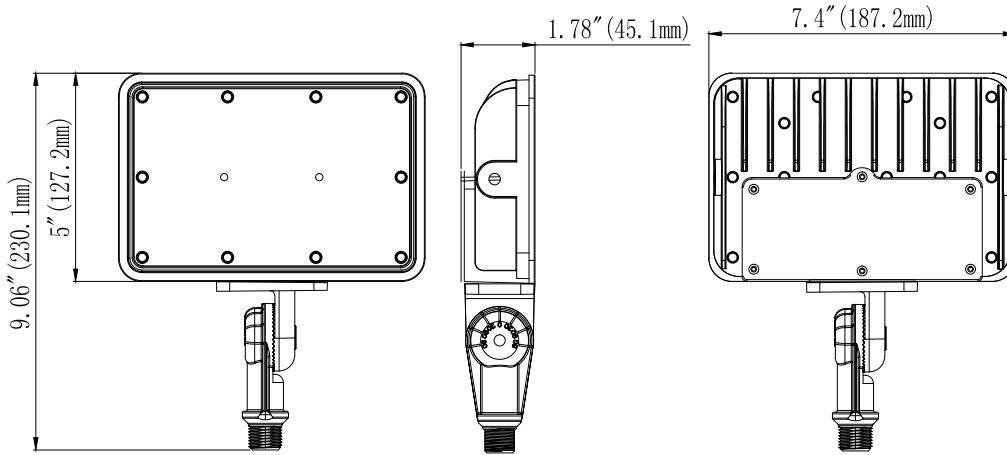


Specifications

Unit : inch(mm)

Structure Features

- Shell materials: Aluminum & PC.
- Finish: Dark Bronze/White
- Net weight : 1.38Kg (3.04 lbs)
- Interbox Size: 26.2cm*22cm*8cm(1pcs)
- Carton Size: 55.1cm*43.5cm*23.5cm(10pcs)

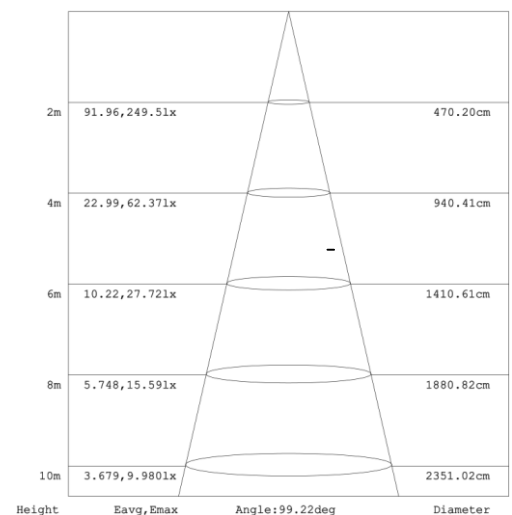
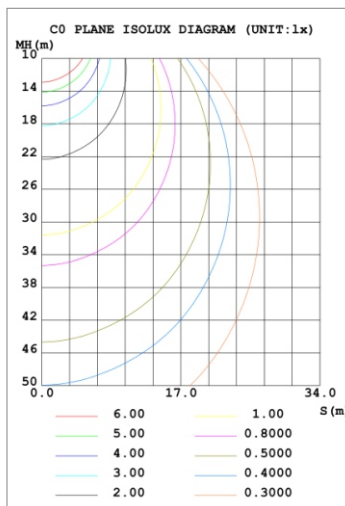
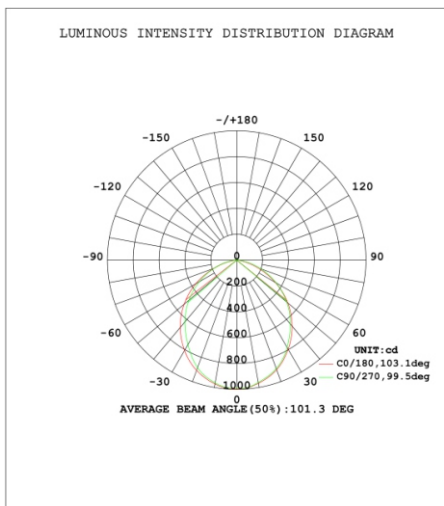


Technical Parameters

WSD-FL02W27-XXK-Z-K-Y[P or blank]

Power	20W	Lighting Angle	101°
Input Voltage	AC100-277V	LED Brightness Decay	<5%/6000 hrs
PF	>0.95	Working Life	>50000 hrs
Driver Efficiency	>90%	Working Temperature	-30 - +45°C
Luminous Flux	2462 Lm	Storage Temperature	-40 - +80°C
Color Temperature	4000K/5000K	Protection Level	Wet Location/IP65
CRI	Ra>70	Cable	Input Connect, 0.3m

Photometry



Example:WSD-FL02W27-XXK-Z-K-Y[P or blank]

WSD	FL	20W	27	XXK	Z	K	Y
Company	Product	Power	Voltage	Color Temp	Finish	Mount	Photocell
	FL	02W(20W)	27	40K(4000K)	D	K	P12
WISDOM	Flood Light		AC100-277V	50K(5000K)±500K	Dark Bronze	Knuckle	120V Photocell
					W	T	P27
					White	Trunnion	277V Photocell

WISDOM OPTOELECTRONICS TECHNOLOGY CO., LIMITED

Add: FLOOR 8,BUILDING B2 SUNSHINE INDUSTRIAL PARK HEZHOU
XIXIANG BAOAN DISTRICT SHENZHEN, GUANGDONG , CHINA, 518126.

Tel: +86 755 2744 8585

+86 755 2744 8884

Fax: +86 755 2744 8089

Email: leo.zhu@wisdom-ssl.com

Website: www.wisdom-ssl.com