



70W LED Full Cutoff Wall Pack



Features

- Lumileds LED, high luminous efficiency and long working life.
- High efficiency LED Driver, the wide range input voltage AC120-277V.
- Die Cast aluminium cooling design, high quality and better cooling for LED $T_j < 85^\circ\text{C}$. Excellent Optics design, greatly improve the light utilization and evenness.

Product Applications

WISDOM LED Full Cutoff Wall Pack series can be widely used in indoor or outdoor lighting (Wet location), like mechanical or electronic processing workshops, storage warehouses, steel mills, gas stations, toll booth, waiting rooms, the platforms of railway station, indoor stadiums.



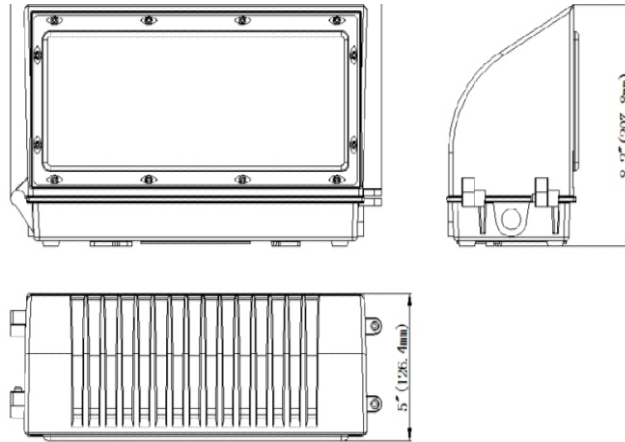
WISDOM OPTOELECTRONICS TECHNOLOGY CO., LIMITED
 Add: FLOOR 8, BUILDING B1 SUNSHINE INDUSTRIAL PARK HEZHOU
 XIXIANG BAOAN DISTRICT SHENZHEN, GUANGDONG, CHINA, 518126.

Tel: +86 755 2744 8585
 +86 755 2744 8884
 Fax: +86 755 2744 8089
 Email: leo.zhu@wisdom-ssl.com
 Website: www.wisdom-ssl.com



Specifications

Unit : inch(mm)



Structure Features

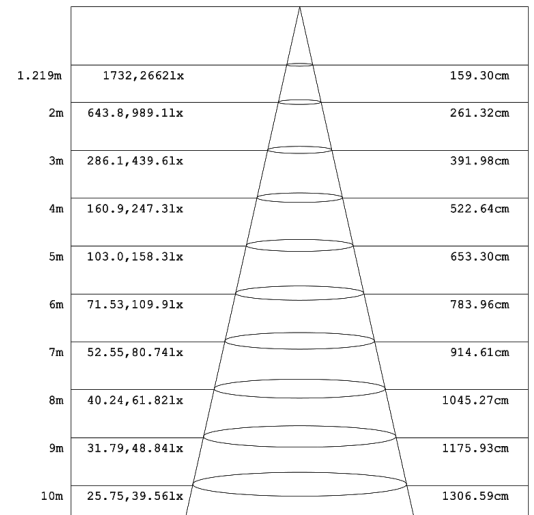
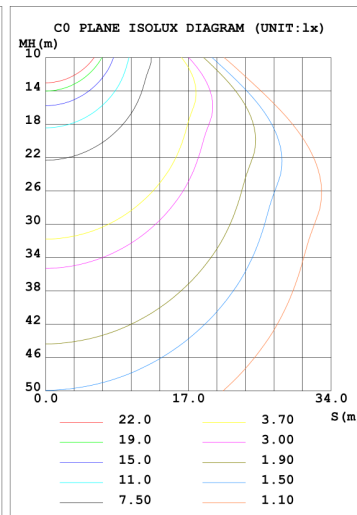
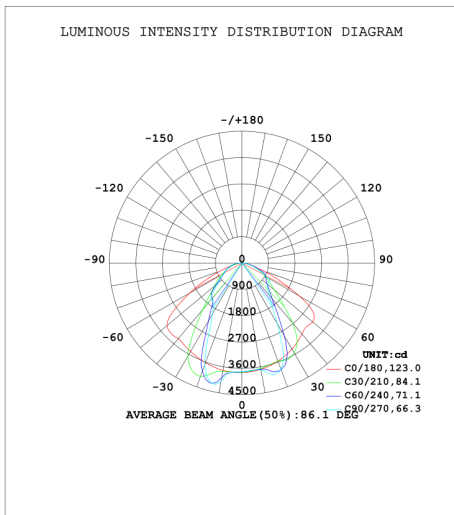
- Shell materials: Aluminum & PC.
- Finish: Dark Bronze/White
- Net weight : 3.0Kg (6.61 lbs)
- Product Size:354.8mm*207.8mm*126.4mm
- Carton Size:390mm*267mm*185mm

Technical Parameters

WSD-FWP07W27-XXK-Z[D,W,B,S]-Y[Blank,P]

Power	70W	Lighting Angle	62°X86°
Input Voltage	AC120-277V	LED Brightness Decay	<5%/6000 hrs
PF	>0.95	Working Life	>50000 hrs
Driver Efficiency	>90%	Working Temperature	-30 - +45°C
Luminous Flux	8400 Lm	Storage Temperature	-40 - +80°C
Color Temperature	4000K/5000K	Protection Level	Wet Location/IP66
CRI	Ra>70	Cable	Input Connect, No cable

Photometry



Example:WSD-FWP07W27-XXK-Z[D,W,B,S]-Y[Blank,P]

WSD	FWP	07W	27	XXK	Z	Y
Company	Product	Power	Voltage	Color Temp	Finish	Control
WISDOM	FWP	07W(70W)	27	40K(4000K)	D (Dark Bronze)	P
	Full Cutoff		AC120-277V	50K(5000K)±500K	W (White)	Photocell
	Wall Pack				B (Black)	
					S (Silvery)	

WISDOM OPTOELECTRONICS TECHNOLOGY CO.,LIMITED

Add: FLOOR 8,BUILDING B1 SUNSHINE INDUSTRIAL PARK HEZHOU

XIXIANG BAOAN DISTRICT SHENZHEN, GUANGDONG , CHINA, 518126.

Tel: +86 755 2744 8585

+86 755 2744 8884

Fax: +86 755 2744 8089

Email: leo.zhu@wisdom-ssl.com

Website: www.wisdom-ssl.com