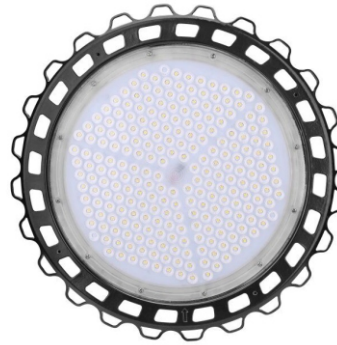




100W UFO LED High Bay Light



Features

- Lumileds LED, high luminous efficiency and long working life.
- High efficiency LED Driver, the wide range input voltage AC120-277V / 200 - 480V.
- Die Cast aluminium cooling design, high quality and better cooling for LED $T_j < 85^\circ\text{C}$.
- Excellent Optics design, greatly improve the light utilization and evenness.
- Motion sensor Control Available (Option)

Product Applications

WISDOM UFO LED High Bay Light series can be widely used in outdoor lighting (Wet location), Excellent for Museums, Art Galleries, Underground parking lot, Buildings, The lawn, Industrial areas, Residential areas, Sidewalks, Parking lot, Schools and etc, and many more applications.



WISDOM OPTOELECTRONICS TECHNOLOGY CO., LIMITED
 Add: FLOOR 8, BUILDING B1 SUNSHINE INDUSTRIAL PARK HEZHOU
 XIXIANG BAOAN DISTRICT SHENZHEN, GUANGDONG, CHINA, 518126.

Tel: +86 755 2744 8585
 +86 755 2744 8884
 Fax: +86 755 2744 8089
 Email: leo.zhu@wisdom-ssl.com
 Website: www.wisdom-ssl.com

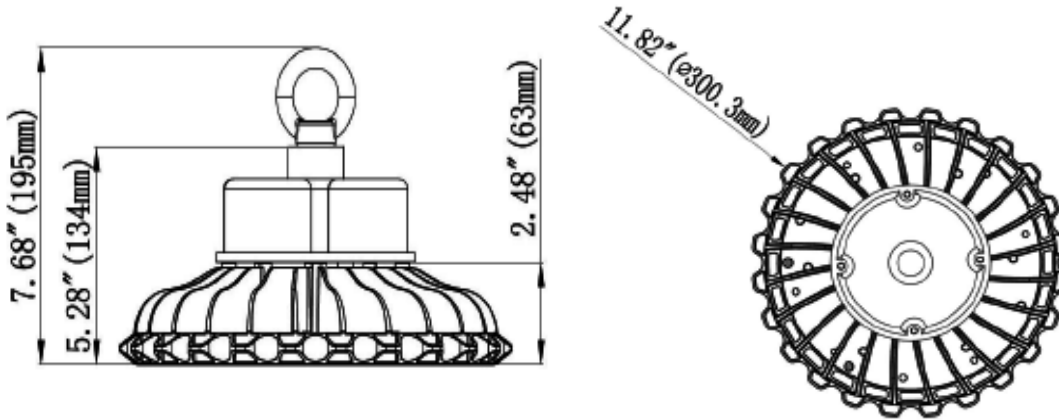


Specifications

Unit : inch(mm)

Structure Features

- Shell materials: Aluminum & PC.
- Finish: Black/White
- Net weight : 3.5Kg (7.7 lbs)
- Product Size: $\phi 300\text{mm} \times 195\text{mm}$
- Carton Size: $380\text{mm} \times 380\text{mm} \times 200\text{mm}$

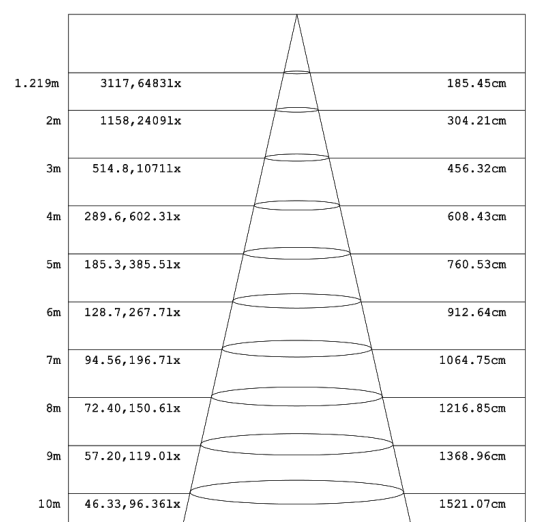
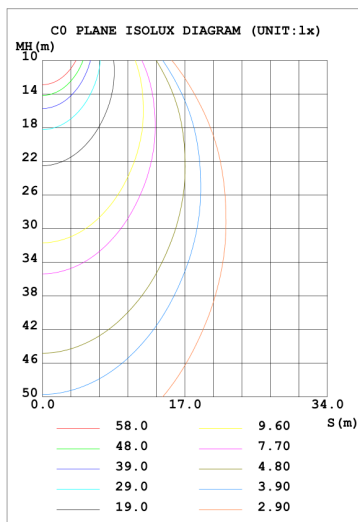
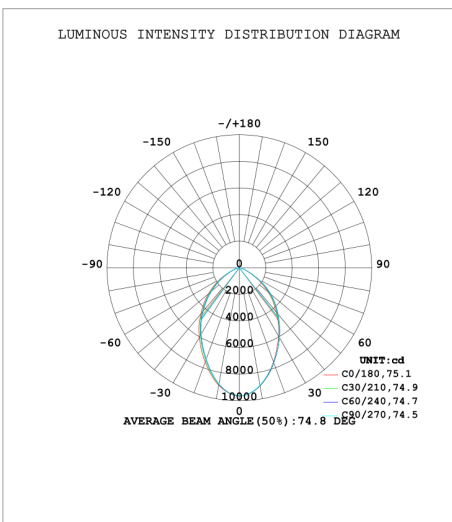


Technical Parameters

WSD-UHB10W27-XXK-Z[D,W,B]-##[SS,MW]-M[Blank,M]

Power	100W	Lighting Angle	75°
Input Voltage	AC120-277V/200-480V	LED Brightness Decay	<5%/6000 hrs
PF	>0.95	Working Life	>50000 hrs
Driver Efficiency	>90%	Working Temperature	-30 - +45°C
Luminous Flux	15000 Lm	Storage Temperature	-40 - +80°C
Color Temperature	4000K/5000K	Protection Level	Wet Location/IP65
CRI	Ra>70	Cable	3 core , 18AWG(1.0m)
Optional dimming function	1-10Vdc		

Photometry



Example: WSD-UHB10W27-XXK-Z[D,W,B]-##[SS,MW]-M[Blank,M]

WSD	UHB	10W	27	XXK	Z	##	M
Company	Product	Power	Voltage	Color Temp	Finish	Driver	Control
	UHB	10W(100W)	27	40K(4000K)	D (Dark Bronze)	SS	M
WISDOM	UFO High Bay Light		AC120-277V	50K(5000K) \pm 500K	B (Black)	SOSEN	Motion sensor
			48		W(White)	MW	
			AC200-480V			Mean Well	