



# 120W LED Gas Station Canopy Light



## Features

- Lumileds LED, high luminous efficiency and long working life.
- High efficiency LED Driver, the wide range input voltage AC120-277V.
- Die Cast aluminium cooling design, high quality and better cooling for LED  $T_j < 85^{\circ}\text{C}$ .
- Excellent Optics design, greatly improve the light utilization and evenness.
- Motion sensor Control Available (Option).

## Product Applications

WISDOM LED Gas Station Canopy Light series can be widely used in indoor or outdoor lighting(Wet location),Excellent for Museums, Art Galleries, Shopping Malls, Gas station,Parking Gragre, Buildings, and many more applications.



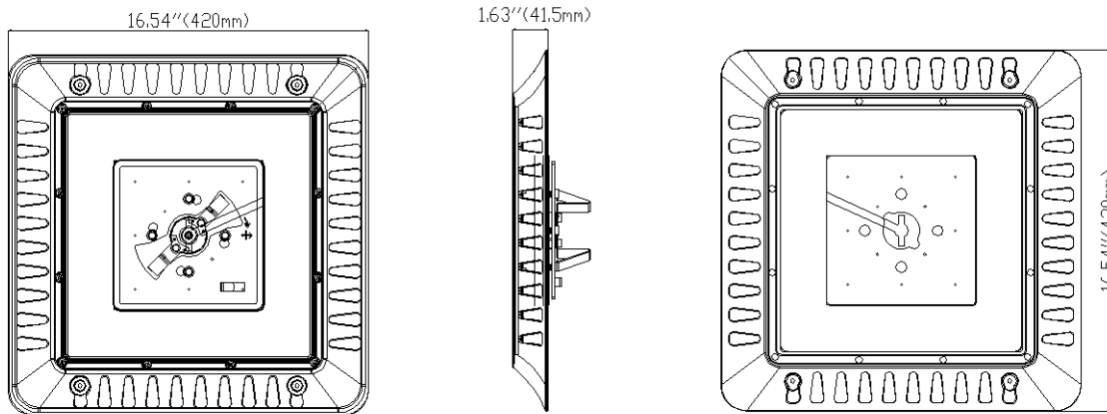


## Specifications

Unit : inch(mm)

### Structure Features

- Shell materials: Aluminum & Glass.
- Finish: Dark Bronze/White/Black
- Net weight : 5.21Kg (11.48 lbs)
- Product Size:420mm\*420mm\*41.5mm
- Carton Size:534mm\*534mm\*130mm

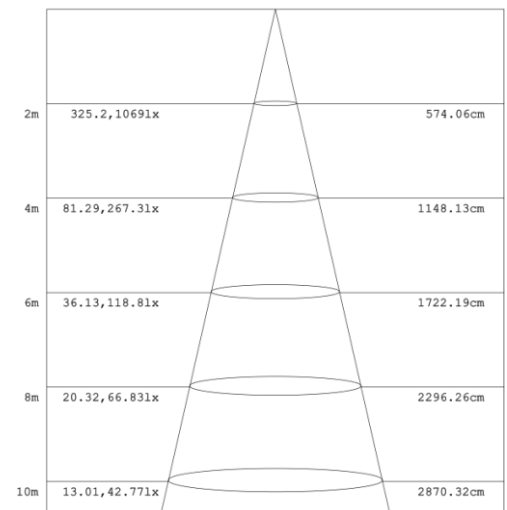
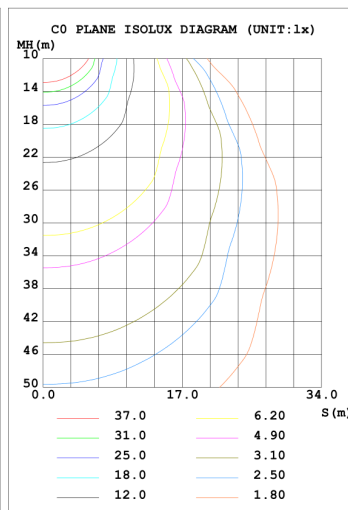
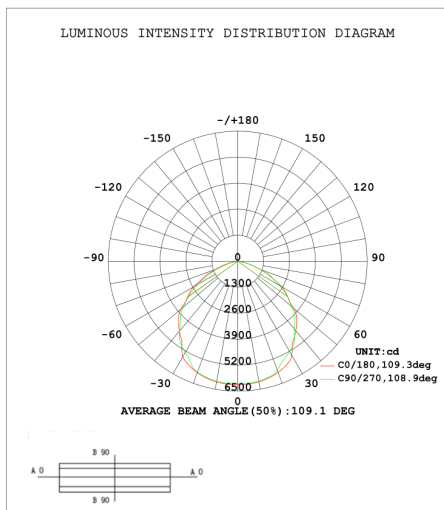


## Technical Parameters

### WSD-CP12W27-XXK-Z[D,W,B,S]-E[blank,M]

Power	120W	Lighting Angle	109°
Input Voltage	AC120-277V	LED Brightness Decay	<5%/6000 hrs
PF	>0.95	Working Life	>50000 hrs
Driver Efficiency	>90%	Working Temperature	-30 - +45°C
Luminous Flux	16086 Lm	Storage Temperature	-40 - +80°C
Color Temperature	4000K/5000K	Protection Level	Wet Location/IP66
CRI	Ra>70	Cable	Input Connect, 0.7m
Optional dimming function	1-10Vdc	Eff	>130lm/w

## Photometry



### Example:WSD-CP12W27-XXK-Z[D,W,B,S]-E[blank,M]

WSD	CP	12W	27	XXK	Z	E
Company	Product	Power	Voltage	Color Temp	Finish	Control
	CP	12W(120W)	27	40K(4000K)	D (Dark Bronze)	M
WISDOM	Gas Station Canopy		AC120-277V	50K(5000K)±500K	W (White) B (Black) S (Silvery)	Motion sensor